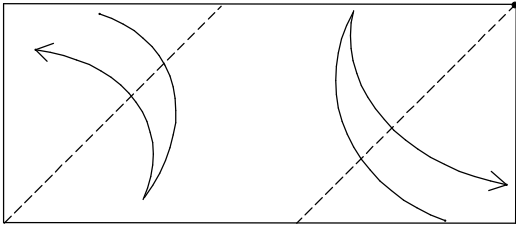


# Fold Maximum Square From Rectangle

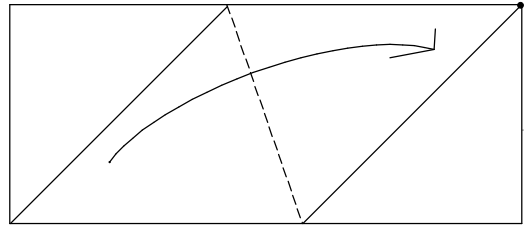
© 2002 Sy Chen

Method developed in 11/19/2002-11/20/2002 and diagrammed on 9/6/2003  
 I am sure someone did it already. But this solution works for any rectangle with aspect ratio between 2 and 2.5  
 Math proof is left for further exercise

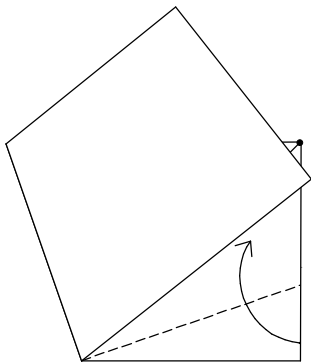
1. Start from rectangle with aspect ratio between 2 and 2.5; US \$ bill is a good example. Bisect two corners



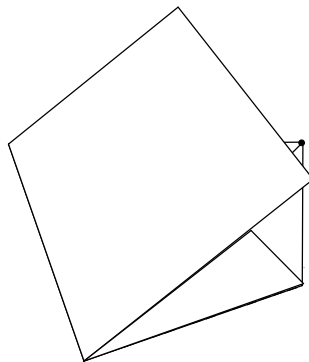
2.



3. Enlarged

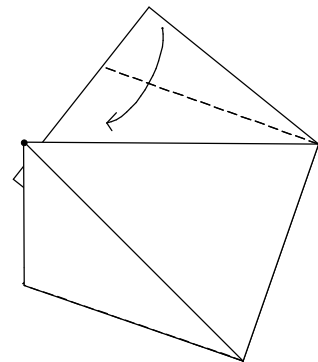


4.

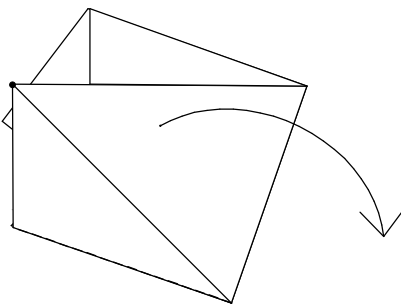


turn over

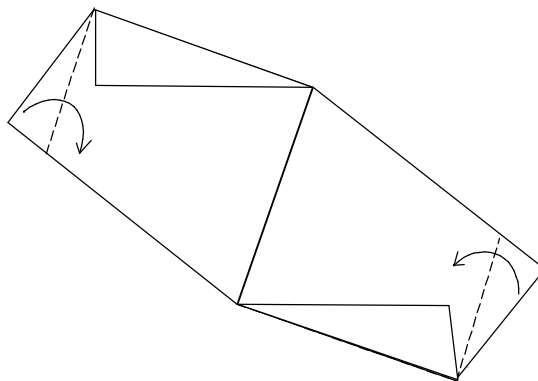
5.



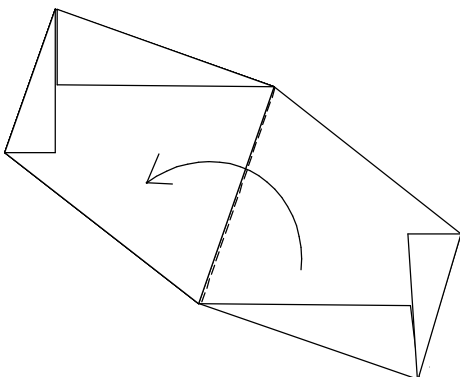
6. Unfold



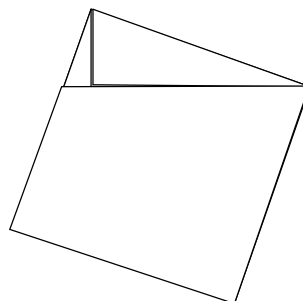
7.



8.



9. Finished



Special cases:

- \* 1x2 rectangle - book fold
- \* 1x2.414 rectangle - opposite corners meet each other.
- \* 1x2.5 rectangle - final square is exactly two layers through the whole area